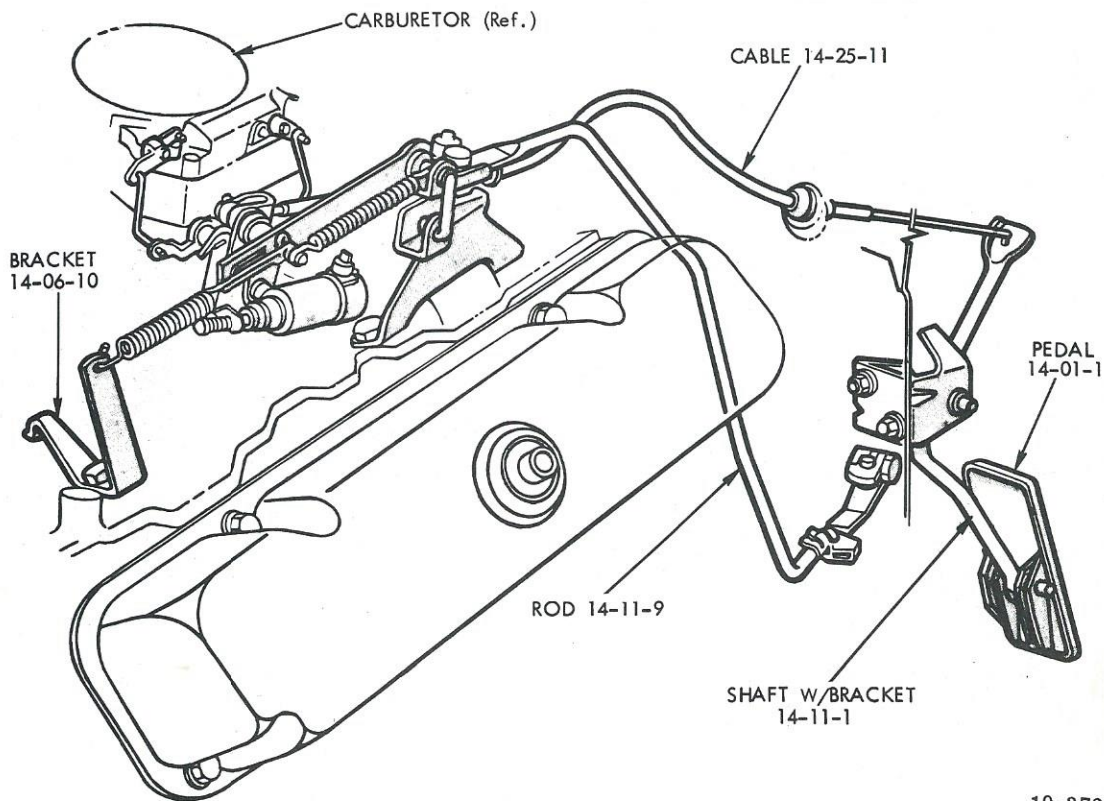


**PARTS INDICATED
BY NAME ONLY - ORDER
BY DESCRIPTION**



19a3727A

THROTTLE LINKAGE - 340 ENGINE -
MANUAL AND AUTOMATIC TRANSMISSION - B, J, R, W