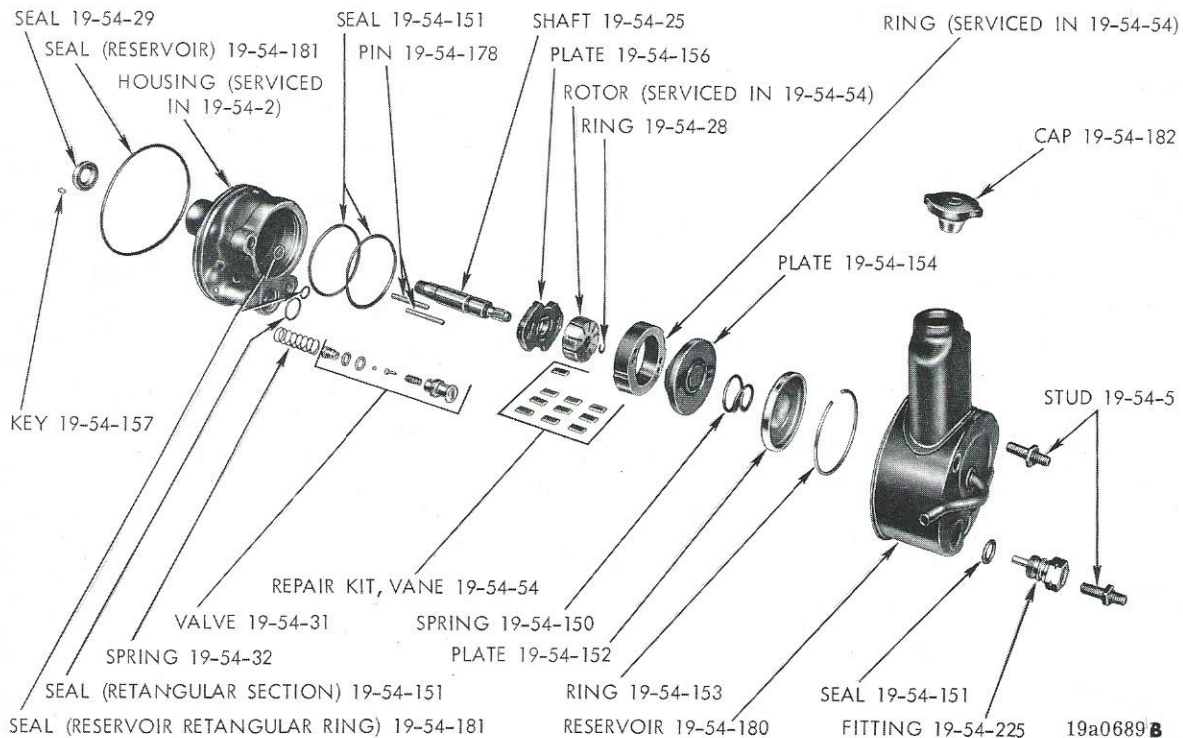


STEERING COLUMN GEARSHIFT CONTROLS (WITH AUTOMATIC TRANSMISSION)



POWER STEERING PUMP (WITH KEY SLOTTED PUMP SHAFT)