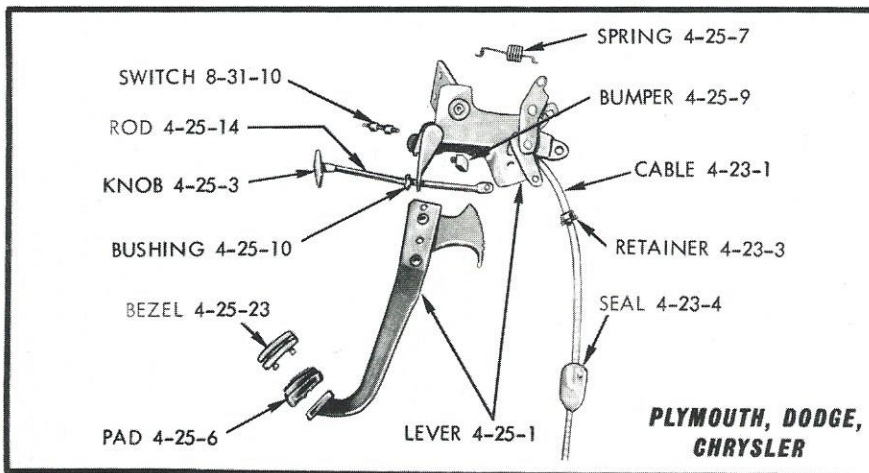
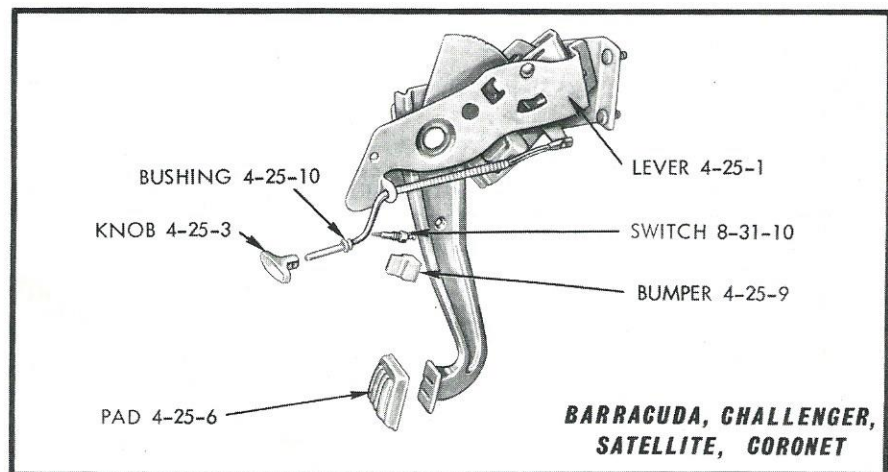
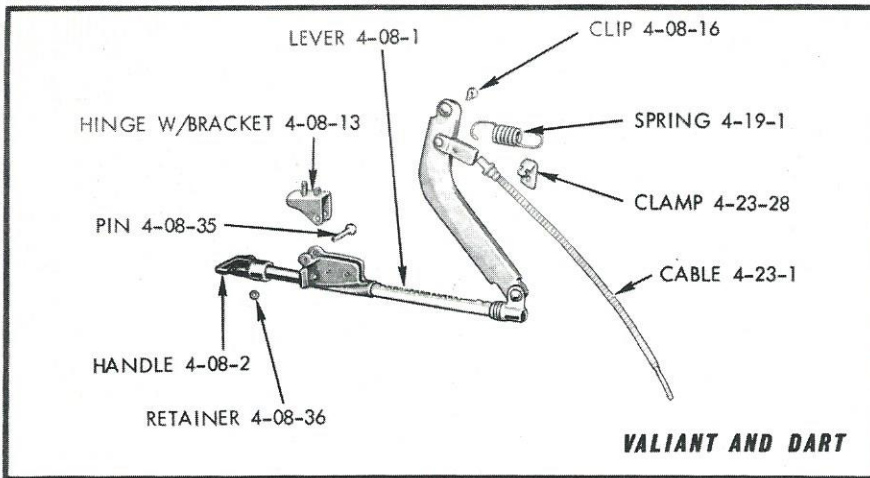


GROUP 4 - BRAKE-PARKING



**NOTE: For Imperial
Parking Brake
See 19a0972B**

19a3870